

Recharge



# SEVEN<sub>PRO</sub>

Product Datasheet



DATASHEET V1.2 2024

# I N T R O D U C T I O N

This manual, and the functions described in it, are valid for the installation of VCHRGD Technologies tethered and socketed, 7 kW AC chargers. It's designed for use exclusively by trained, qualified personnel to aid them in the installation and commissioning of the VCHRGD Seven Pro.

These are people who, due to their training, skills and experience, and knowledge of the relevant standards, can assess the work assigned to them and identify possible dangers and any protective devices required to meet the regions relevant wiring standards and regulations.

The illustrations and explanations contained in this manual refer to a typical version of the device your device version should not, but may differ from this.

Please refer to the manual for information and instructions for operating the device, fault identification and commissioning.



# INTRODUCTION

## PRODUCT FEATURES

### UNTETHERED TYPE 2 UNIVERSAL



### TETHERED 5 OR 7.5M TYPE 2



## KEY FEATURES



#### Load Balancing

Hard wired dynamic load balancing with CT provided in box. Never overload your main supply



#### Robust Casing

Robust IK10 rated ABS casing. Chargers built to last in any environment



#### Push Fit

Simple installation with modular charging hardware, increased wiring area push fit connection



#### PEN Protection

Simplified installation and reduced project costs, through built in OPEN protection



#### RFID

Built-in RFID reader for easy charge card registration and local charge authorisation



#### OCPP 1.6

OCPP 1.6 compliant for easy integration with plethora back-end service providers



#### Universal Socket

Universal Type 2 socket or tethered 5 metre Type 2 cable built in for the same price.



#### Solar Integration

Our chargers monitor your solar export allowing you to charge for free with 1 or 2 CT Inputs



#### Secure

Compliant with all UK smart charging standards & encrypted bluetooth, WiFi & RFID.



#### Cable Lock

Turning untethered chargers into tethered at the touch of a button. Secure your cable.

## S P E C I F I C A T I O N

## KEY SPECIFICATIONS

## Electrical Characteristics

Charger Type	Mode 3 (IEC61851-1)
Nominal Supply	Single phase 230V, 50/60Hz
Charging Power	Up to 32A (7kW)
Over Current Protection	40A
Current rating	Adjustable (6A to 32A)
Standby Power Consumption	<2.5W
Earth Leakage Protection	AC 30mA + DC 6mA
PEN Protection	PE Current (BS7671:722.411.4.1 Ident ii & v)
Supply Connection	L, N + PE / CT1 + CT2

## Connectivity

WiFi	(IEEE 802.11bgn) @ 2.4Ghz WPA-2
Connection security	Transport Layer Secure Encryption HTTPS
Bluetooth	2.4GHz
RFID	~ 120 -140kHz
4G Cellular *Optional*	~ 600 MHz -2.5 GHz

## Mechanical Features

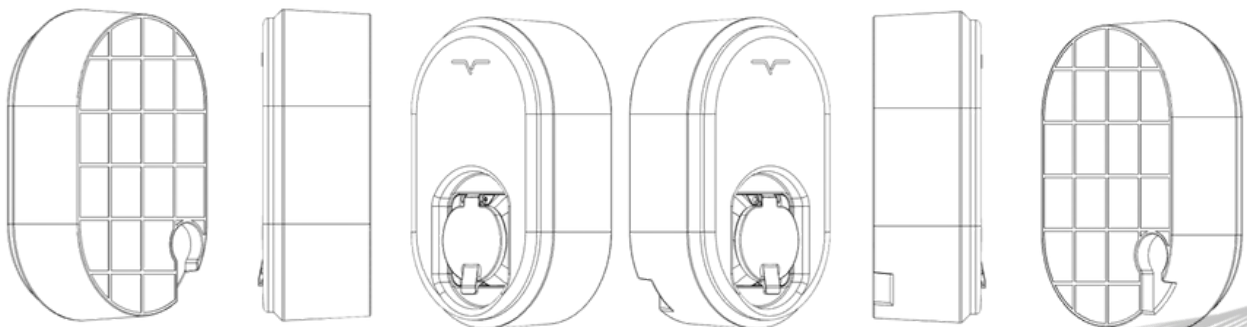
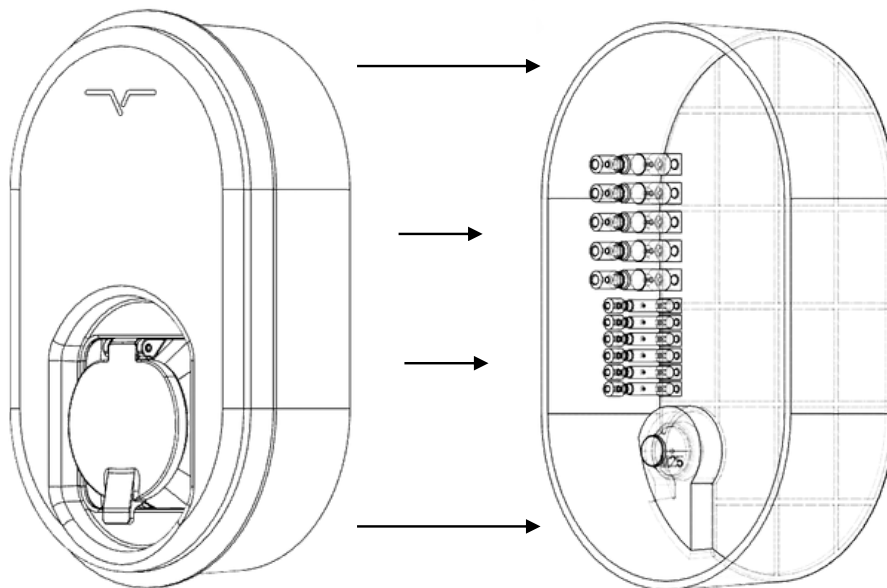
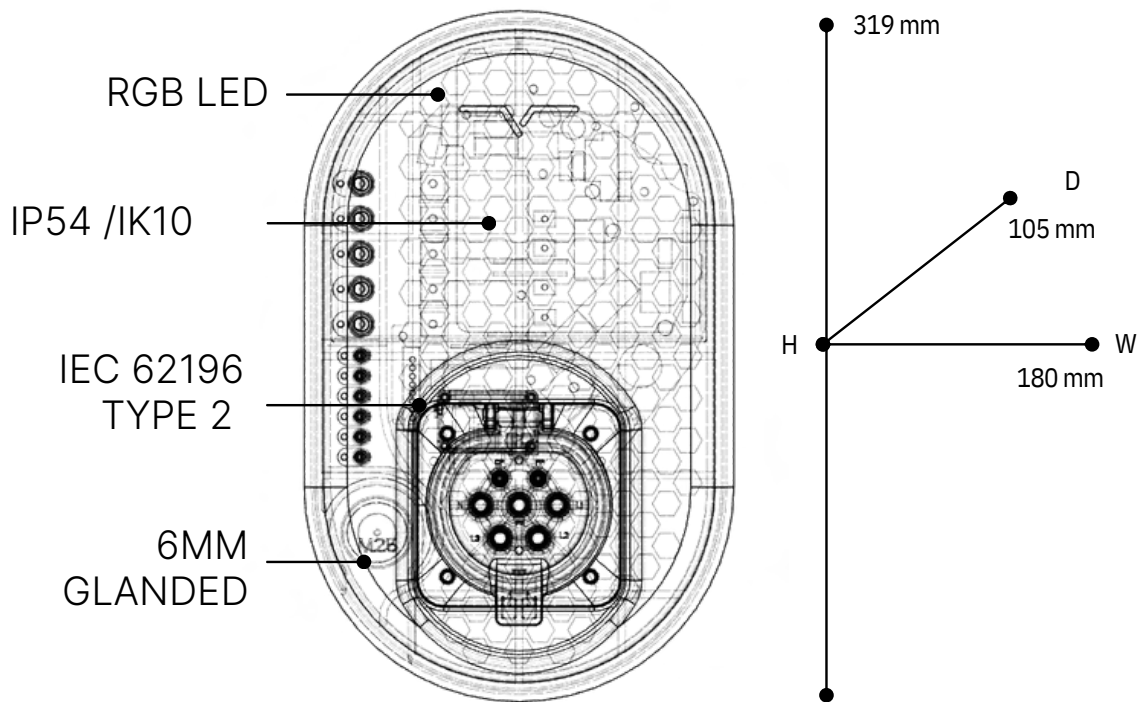
Connector	Type 2 IEC62196
Mounting	Wall or Pedestal
Dimension (mm)	300 (L) 180 (H) 90 (D)
Weight	3kg approx. (excl. charging cable) 4kg w/ cable
IP Class/IK Class	IP55 / IK10

## Safety &amp; Operational Ratings

Status	LED Indication
Operating Ambient Temperature	-25°C to 50°C
Relative Humidity	5% -90%
Atmospheric Pressure	80kPA -110kPA
EMC Compliance	EN55011 Class B
Integral Protection	Under & Over Voltage & Current 6mA DC Leakage, RCDD PEN Fault Detection

# SPECIFICATION

## CASING & DIMENSIONS



## P A C K A G I N G

## I N S I D E T H E B O X

## I N T E R N A L P A C K A G I N G

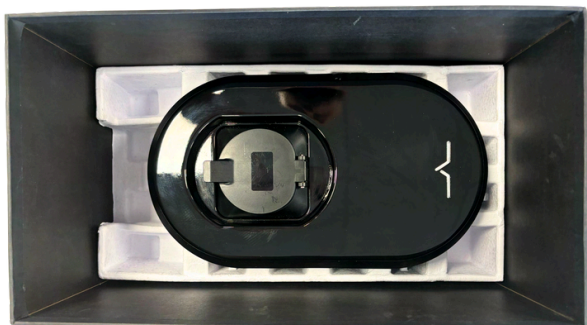
## I N T E R N A L P R O T E C T I V E P A C K A G I N G

KEEP ME GUIDE, FIXINGS PACK, 2X RFID CARDS



## C H A R G E P O I N T

7KW CHARGEPOINT W/ CABLE IF TETHERED



## E X T E R N A L P A C K A G I N G

## P R O T E C T I V E C A R B O A R D S L E E V E

RIGID CARBOARD, REMOVE TOP TO OPEN

FEATURES &amp; BLURB ON BOTTOM OF SLEEVE



100% RECYCLABLE

ALL PACKAGING MATERIALS ARE 100% RECYCLABLE AND SHOULD BE RESPONSIBLY DISPOSED OF AFTER INSTALLATION



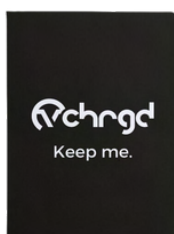
## ● F I X T U R E S

4 X WALL MOUNTING SCREWS  
 4 X WALL PLUGS  
 3 X FERRULES  
 1 X TORX+ DRILL BIT  
 5 X TORX+ BACK BOX SCREWS



## ● C T C L A M P

1 X CT CLAMP AS STANDARD  
 2ND CT CLAMP IF ORDERED  
 EASTRON SPLIT CORE CT 120A  
 RATED INPUT 40MA OUTPUT  
 0.5% ACCURACY



## ● K E E P M E G U I D E

COMMISSIONING & SET UP GUIDE  
 TO BE LEFT WITH CUSTOMER  
 INSTALLER PASSWORD, APP SET  
 UP CREDENTIALS & QR CODES TO  
 DOWNLOAD USER/INSTALL APPS



## ● R F I D C A R D S

2 X TAP & CHARGE RFID CARDS  
 USED TO AUTHORISE CHARGING  
 IN TANDEM WITH VCHRGD HOME  
 APP, OR IN STANDALONE RFID  
 MODE IF NO DATA CONNECTION

**NOTE** | IT IS IMPORTANT TO ENSURE THAT THE CUSTOMER  
 RETAINS THE KEEP ME GUIDE FOR HOME APP SIGN UP  
 AND ONGOING SUPPORT PURPOSES.

Looking to learn a little more?  
Why not reach out...



01494 370525



[sales@vchrgd.com](mailto:sales@vchrgd.com)



[www.vchrgd.com](http://www.vchrgd.com)



1A Eghams Court, SL8 5YS



SIMPLICITY | SUSTAINABILITY | SUPPORT